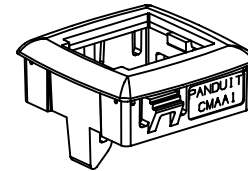
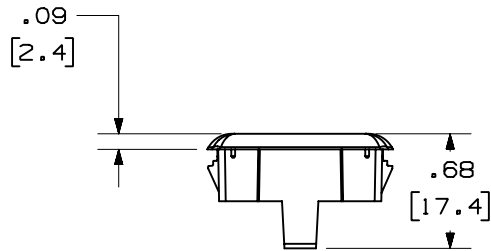
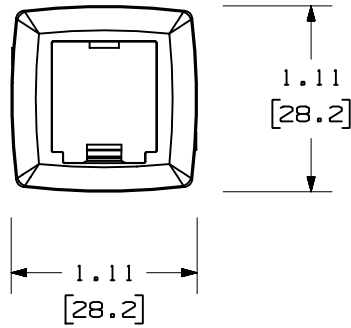


THIS COPY IS PROVIDED ON A RESTRICTED BASIS AND IS NOT TO BE USED IN ANY WAY DETRIMENTAL TO THE INTERESTS OF PANDUIT CORP.

PANDUIT P/N	WEIGHT
CMAA1**-X	.04 LB/10 PCS (21.0 g/10 PCS)



NOTES:

- SEE CURRENT CATALOG FOR ADDITIONAL PART NUMBER SUFFIXES TO INDICATE COLOR AND OR PACKAGE QUANTITY.
- SEE CATALOG FOR COMPLETE LIST OF PARTS APPLICABLE FOR USE WITH THIS PART.
- DIMENSIONS IN PARENTHESES ARE IN METRIC.
- PANEL OPENING REQUIRED IS: 25mm OR 1.00" SQUARE.

CAD FILENAME/LAYERS M01165BC_DC_07A.PRT

PANDUIT CORP. TINLEY PARK, ILLINOIS

MINI-COM™ 1 POSITION AUSTRALIAN
 FURNITURE ADAPTER
 CUSTOMER DRAWING (CMAA1**-X)

UNLESS OTHERWISE SPECIFIED,
 DIMENSIONAL TOLERANCES ARE:
 (.X) ± (.XXX) ± .010 (.3)
 (.XX) ± .03 (.8) ANGLES ±

UNLESS OTHERWISE SPECIFIED,
 ALL DIMENSIONS ARE GIVEN
 IN INCHES, THIRD ANGLE PROJECTION.

REV	DATE	BY	CHK	DESCRIPTION	ECN	CHK	CUST	SUP
I	8-27-01	JsP		B. CHANGED FIT DIMENSIONS. A. CHANGED SNAP PROFILE.	01165-04			
R	5-10-01	JsP	PBD	RELEASED TO PRODUCTION.	01165-04	PBD		

DRAWN BY JsP	MAT'L: ABS	SCALE NONE
DATE 5-10-01		DRAWING NO. 01165-04
CHECKED BY PBD		DWG A SIZE